

HD-SDI / EX-SDI(V1.0/ V2.0/ V2.1/ V3.0(TBD)) / CVBS / TVI / AVI

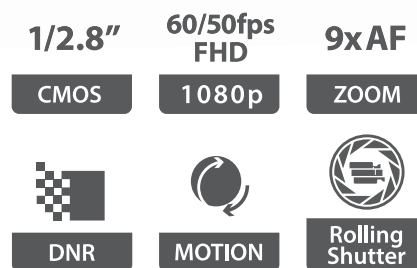
# ATC- HZ8209Z-TA

FHD 2.13MP High Resolution  
 9x Rolling Shutter Zoom Camera



## features

- 1/2.8" Progressive Scan STARVIS CMOS
- 108x AF Zoom  
(9x optical zoom, 12x digital zoom)
- 1080p 60/50/30/25fps  
720p 60/50/30/25fps, 1080i 60/50fps
- Mechanical Day&Night
- True WDR
- 2D/3D DNR, Defog, DIS
- UART RS232-TTL (Pelco-D, Pelco-P, VISCA)

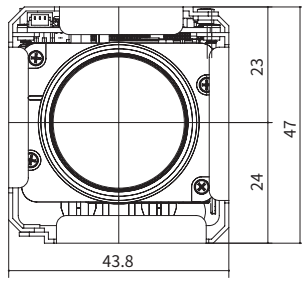


## Specifications

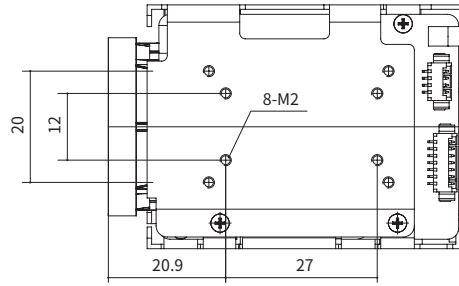
<b>Image Sensor</b>		1/2.8" Progressive Scan STARVIS CMOS
<b>Effective Pixels</b>		2.13MP 1945(H) x 1097(V)
<b>Video Output Mode</b>	<b>Common</b>	HD-SDI/EX-SDI(V1.0)/EX-SDI(V2.0)/EX-SDI(V2.1)/EX-SDI(3.0(TBD))/CVBS
	<b>AVI/TVI/LVDS</b>	TVI / AVI
<b>Max. Video Resolution</b>		HD-SDI/EX-SDI:1080p@60(50fps)
<b>Synchronization system</b>		Internal
<b>Min. Illumination</b>		Day mode: 0.04Lux(F1.7) Night mode: 0.03Lux(F1.7/ IR-cut filter on) Sens-Up off, AGC52dB
<b>S/N Rate</b>		More than 55dB(AGC off, Sens-Up off)
<b>Type</b>		AF Optical zoom lens(DC Iris), IR Corrective
<b>Lens</b>	<b>Focal Length</b>	f=4.8mm~40.8mm
	<b>F-value</b>	F1.7(W)~3.1(T)
	<b>Angle of View</b>	Horizontal 62.0°(W)~7.6°(T), Vertical 36.4°(W)~4.4°(T)
<b>Zoom ratio</b>		Optical 9x / Digital 12x
<b>Focus Min. Working Distance</b>		0.01m(Wide)/1.0m(Tele)~∞
<b>Focus Control</b>		Auto/Interval/One Shot/Manual/Presets
<b>AE Mode</b>		Auto/Iris Priority/Shutter Priority/Manual
<b>Brightness</b>		1~20
<b>Manual Shutter</b>		1/1, 1/2, 1/4(3), 1/8(6), 1/15(12), 1/30(25), 1/60(50)~1/30000
<b>Manual Iris</b>		F1.6~F19, Close
<b>Sense-up</b>		Off~32fields
<b>ETC</b>		Slow AE
<b>D&amp;N Mode</b>		Auto/Color(Day)/B&W(Night)/EXT-H/EXT-L
<b>White Balance</b>		AUTO/Indoor/Outdoor/One push/ATW/Manual
<b>Image Freeze</b>		Off/On
<b>Image Flip</b>		Off/Horizontal/Vertical/H+V(180° Flip)
<b>Privacy Mask Zone</b>		8 Zones/14 mask color selectable

<b>Digital Image Stabilization</b>	Yes
<b>Motion Detection</b>	4 Zones
<b>D-WDR</b>	Off/Low/Middle/High
<b>WDR</b>	Off/On, Adjustable(Level:Low/Middle/High)
<b>BLC</b>	Off/0~10, Area selectable
<b>HLC</b>	Off/0~20, Color selectable
<b>AGC</b>	Max.80dB
<b>Sharpness</b>	Adjustable(0~15)
<b>3D-DNR</b>	OFF/Auto(Level:0~2)/ Manual(Gain:0~255/THLD:0~255/FK:0~255)
<b>2D-DNR</b>	OFF/Auto(Level:0~2)/ Manual(Gain:0~255/THLD:0~255)
<b>Defog</b>	Off/Auto(Low/Middle/High)/Manual
<b>Presets</b>	192 position Presets(Zoom, Focus), 16Memory Presets, Custom Preset
<b>Language</b>	English, Russian, Spanish, German, French, Portuguese, Chinese, Japanese
<b>Remote</b>	RS232 TTL +5.0V(+3.3V compatible)
<b>UART Protocol</b>	VISCA/Pelco-D/Pelco-P:Automatic detection
<b>Baud rate</b>	2400/4800/9600/19200/38400/57600/115200bps
<b>UTC</b>	TVI-UTC / AVI-UTC
<b>Supply Voltage</b>	12VDC(9V to 15VDC)
<b>Power Consumption</b>	Max.4.8W / Non-working zoom&focus 2.7W
<b>Dimension(mm)</b>	43.8x47x63.5mm
<b>Weight</b>	Approx.121g
<b>Operating Temperature</b>	-10°C~+50°C, Humidity(Less than 90%)
<b>Storage Temperature</b>	-20°C~+60°C, Humidity(Less than 90%)
<b>Remark</b>	

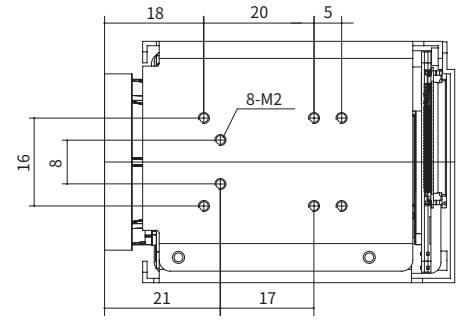
## Dimension



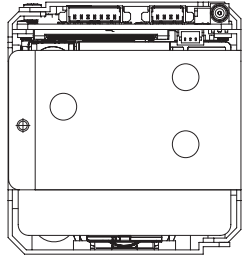
Front



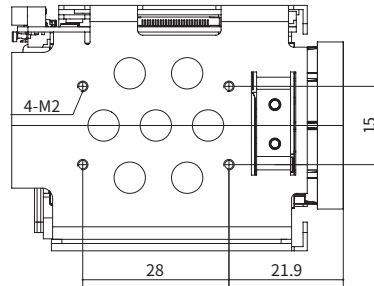
Top



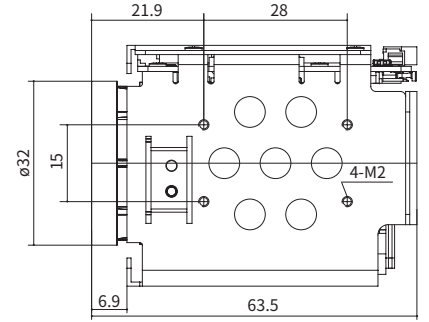
Bottom



Rear

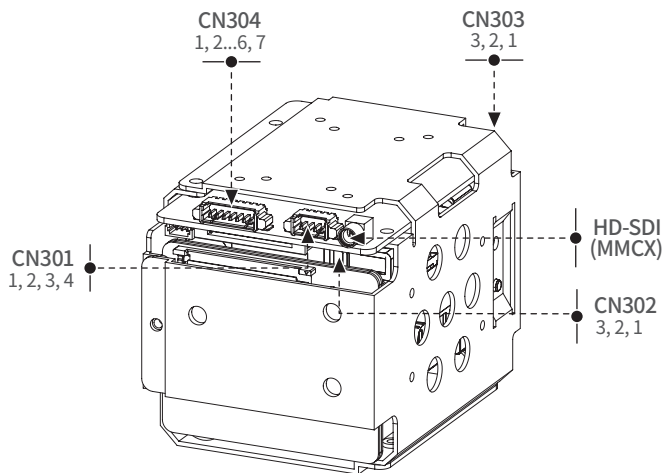


Left



Right

## Pin Assignment



Jack	SDI Output connector / MMCX Jack Connector
------	--

Pin no.	CN301(CVBS) / Molex: 53261-0471
1	POWER IN: +12VDC
2	GND
3	VIDEO: CVBS Output
4	AD_KEY

Pin no.	CN302(RS-232 TTL) / JST: SM03B-SRSS-TB
1	GND
2	RxD: CMOS 3.3V Read Data
3	TxD: CMOS 3.3V Send Data

Pin no.	CN303(External D&N) / JST: SM03B-SRSS-TB
1	Ext_D&N: External D&N Input
2	GND
3	+3.3V out(For Sensor)

Pin no.	CN304 / Molex: 53261-0771
1	POWER IN: +12VDC
2	GND
3	TXD: CMOS 5.0V Send Data (Compatible 3.3V)
4	RXD: CMOS 5.0V Read Data (Compatible 3.3V)
5	TVI/AVI Output
6	GND
7	Default CVBS Output (Optional : AD KEY)