

HD-SDI / EX-SDI(V1.0/ V2.0/ V2.1/ V3.0(TBD)) / CVBS / LVDS

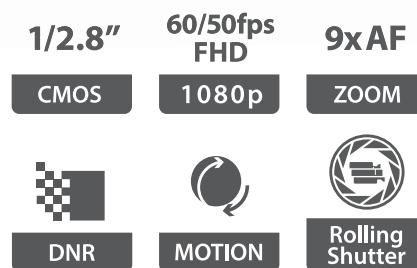
ATC-HZ8209Z-LC

FHD 2.13MP High Resolution
 9x Rolling Shutter Zoom Camera



features

- 1/2.8" Progressive Scan STARVIS CMOS
- 108x AF Zoom (9x optical zoom, 12x digital zoom)
- 1080p 60/50/30/25fps
720p 60/50/30/25fps, 1080i 60/50fps
- Mechanical Day&Night
- True WDR
- 2D/3D DNR, Defog, DIS
- UART RS232-TTL (Pelco-D, Pelco-P, VISCA)

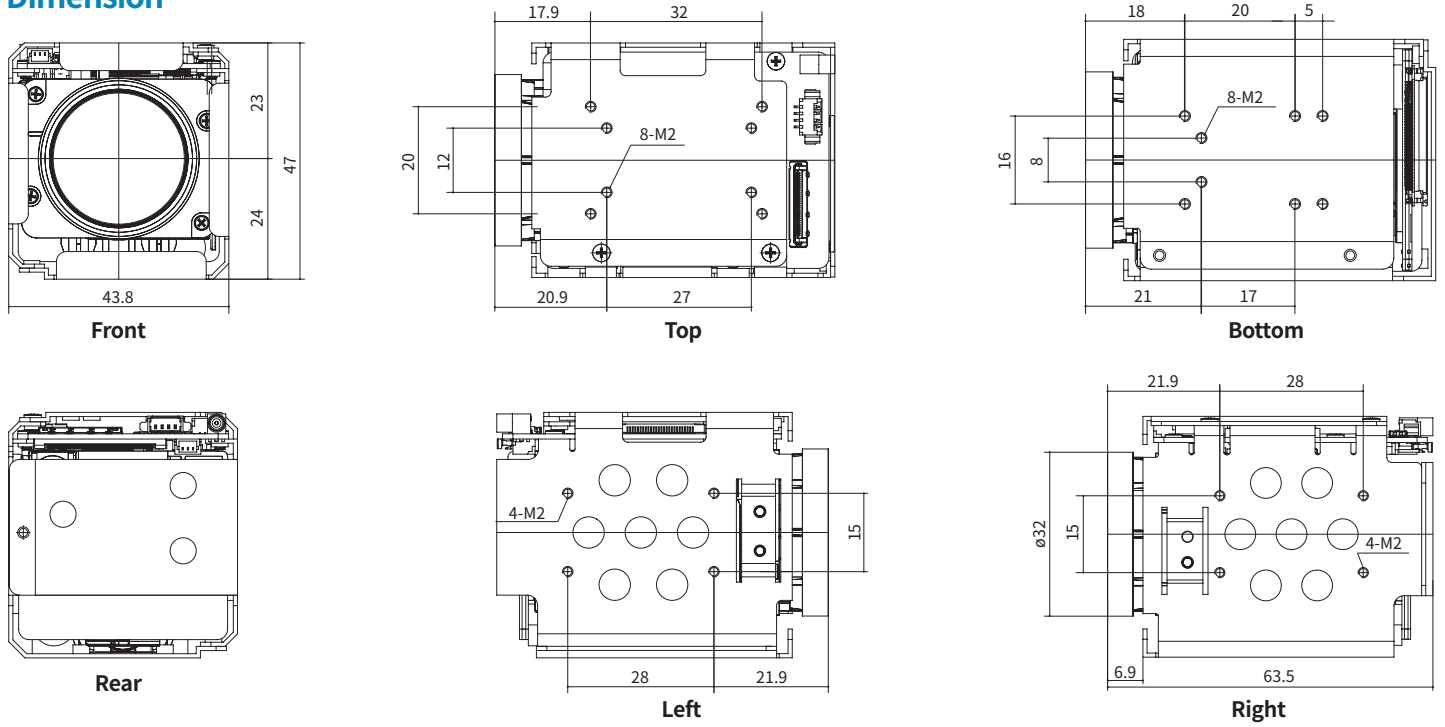


Specifications

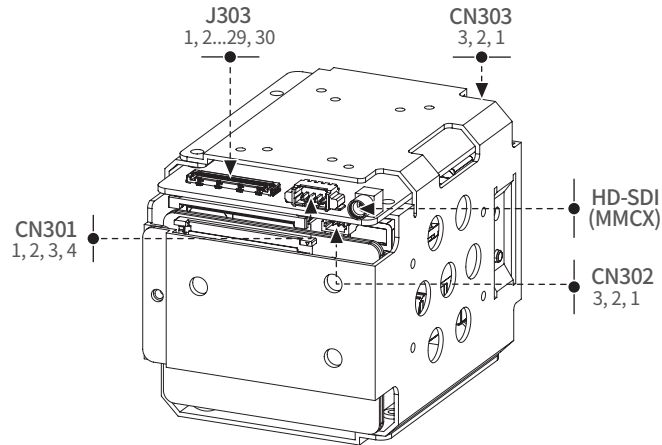
Image Sensor		1/2.8" Progressive Scan STARVIS CMOS
Effective Pixels		2.13MP 1945(H) x 1097(V)
Video Output Mode	Common	HD-SDI/EX-SDI(V1.0)/EX-SDI(V2.0)/EX-SDI(V2.1)/EX-SDI(3.0(TBD))/CVBS
	AVI/TVI/LVDS	LVDS
Max. Video Resolution		HD-SDI/LVDS/EX-SDI:1080p@60(50fps)
Synchronization system		Internal
Min. Illumination		Day mode: 0.04Lux(F1.7) Night mode: 0.03Lux(F1.7/ IR-cut filter on) Sens-Up off, AGC52dB
S/N Rate		More than 55dB(AGC off, Sens-Up off)
Type		AF Optical zoom lens(DC Iris), IR Corrective
Lens	Focal Length	f=4.8mm~40.8mm
	F-value	F1.7(W)~3.1(T)
	Angle of View	Horizontal 62.0°(W)~7.6°(T), Vertical 36.4°(W)~4.4°(T)
Zoom ratio		Optical 9x / Digital 12x
Focus Min. Working Distance		0.01m(Wide)/1.0m(Tele)~∞
Focus Control		Auto/Interval/One Shot/Manual/Presets
AE Mode		Auto/Iris Priority/Shutter Priority/Manual
Brightness		1~20
Manual Shutter		1/1, 1/2, 1/4(3), 1/8(6), 1/15(12), 1/30(25), 1/60(50)~1/30000
Manual Iris		F1.6~F19, Close
Sense-up		Off~32fields
ETC		Slow AE
D&N Mode		Auto/Color(Day)/B&W(Night)/EXT-H/EXT-L
White Balance		AUTO/Indoor/Outdoor/One push/ATW/Manual
Image Freeze		Off/On
Image Flip		Off/Horizontal/Vertical/H+V(180° Flip)
Privacy Mask Zone		8 Zones/14 mask color selectable

Digital Image Stabilization	Yes
Motion Detection	4 Zones
D-WDR	Off/Low/Middle/High
WDR	Off/On, Adjustable(Level:Low/Middle/High)
BLC	Off/0~10, Area selectable
HLC	Off/0~20, Color selectable
AGC	Max.80dB
Sharpness	Adjustable(0~15)
3D-DNR	OFF/Auto(Level:0~2)/ Manual(Gain:0~255/THLD:0~255/FK:0~255)
2D-DNR	OFF/Auto(Level:0~2)/ Manual(Gain:0~255/THLD:0~255)
Defog	Off/Auto(Low/Middle/High)/Manual
Presets	192 position Presets(Zoom, Focus), 16Memory Presets, Custom Preset
Language	English, Russian, Spanish, German, French, Portuguese, Chinese, Japanese
Remote	RS232 TTL +5.0V(+3.3V compatible)
UART Protocol	VISCA/Pelco-D/Pelco-P:Automatic detection
Baud rate	2400/4800/9600/19200/38400/57600/115200bps
Supply Voltage	12VDC(9V to 15VDC)
Power Consumption	Max.4.8W / Non-working zoom&focus 2.7W
Dimension(mm)	43.8x47x63.5mm
Weight	Approx.121g
Operating Temperature	-10°C~+50°C, Humidity(Less than 90%)
Storage Temperature	-20°C~+60°C, Humidity(Less than 90%)
Remark	

Dimension



Pin Assignment



Pin no.	CN301(CVBS) / Molex: 53261-0471
1	POWER IN: +12VDC
2	GND
3	VIDEO: CVBS Output
4	AD_KEY

Pin no.	CN302(RS-232 TTL) / JST: SM03B-SRSS-TB
1	GND
2	RxD: CMOS 3.3V Read Data
3	TxD: CMOS 3.3V Send Data

Pin no.	CN303(External D&N) / JST: SM03B-SRSS-TB
1	Ext_D&N: External D&N Input
2	GND
3	+3.3V out(For Sensor)

Jack	SDI Output connector / MMCX Jack Connector
------	--

Pin no.	J303(Micro Co-Axial) / KEL Co.USL00-30L-C
1	TX_OUT3+
2	TX_OUT3-
3	TX_CLKOUT+
4	TX_CLKOUT-
5	TX_OUT2+
6	TX_OUT2-
7	TX_OUT1+
8	TX_OUT1-
9	TX_OUT0+
10	TX_OUT0-
11	GND
12	TXD: CMOS 5.0V Send Data (Compatible 3.3V)
13	RXD: CMOS 5.0V Read Data (Compatible 3.3V)
14	+12VDC
15	+12VDC
16	+12VDC
17	+12VDC
18	+12VDC
19	GND
20	GND
21	TX_OUT7+ : Single out mode (open)
22	TX_OUT7- : Single out mode(open)
23	TX_OUT6+ : Single out mode(open)
24	TX_OUT6- :Single out mode(open)
25	CVBS Output
26	RESET_IN :Reset - Low(GND), Normal(1.8V)
27	TX_OUT5+ : Single out mode (open)
28	TX_OUT5- : Single out mode (open)
29	TX_OUT4+ : Single out mode (open)
30	TX_OUT4- : Single out mode (open)