

CVBS / TVI / AVI

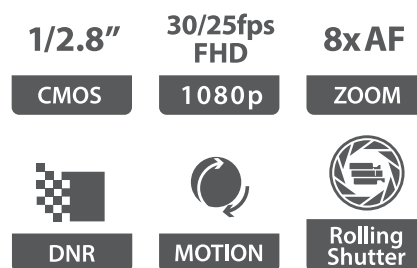
ATC-HZ5608C-TA

FHD 2.13MP High Resolution
 8x Rolling Shutter Zoom Camera



features

- 1/2.8" Progressive Scan STARVIS CMOS
- 96x AF Zoom (8x optical zoom, 12x digital zoom)
- 1080p 30/25fps
- Mechanical Day&Night
- True WDR
- 3D DNR, Defog
- UART RS232-TTL (Pelco-D, Pelco C, VISCA, Hitachi)

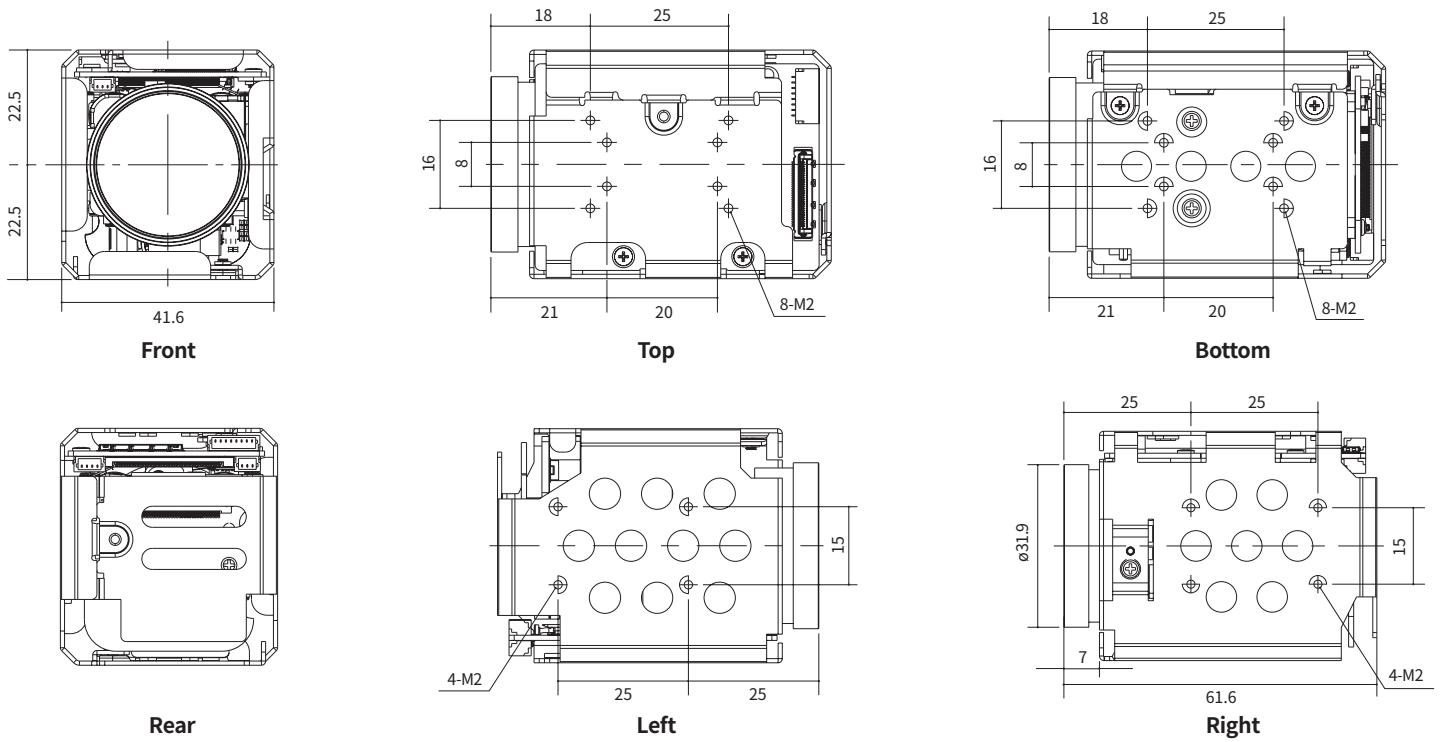


Specifications

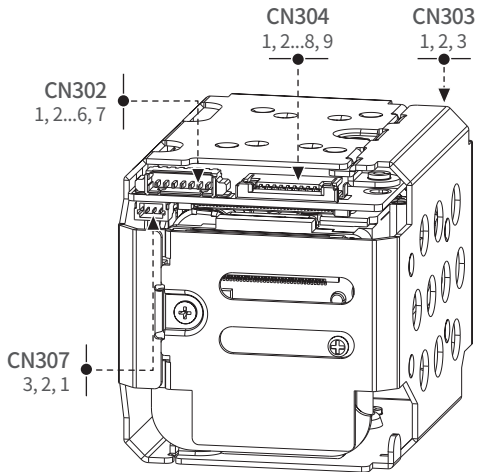
Image Sensor		1/2.8" Progressive Scan STARVIS CMOS
Effective Pixels		2.13MP 1945(H) x 1097(V)
Video Output Mode	Common	CVBS
	AVI/TVI/LVDS	TVI / AVI
Max. Video Resolution		TVI/AVI :1080p@30(25fps)
Synchronization system		Internal
Min. Illumination		Day mode: 0.1Lux(F1.7) Night mode: 0.07Lux(F1.7/ IR-cut filter on) Sens-Up off, AGC45dB
S/N Rate		More than 55dB(AGC off, Sens-Up off)
Type		AF Optical zoom lens(DC Iris), IR Corrective
Lens	Focal Length	f=5.6mm~43.7mm
	F-value	F1.7(W)~1.9(T)
	Angle of View	Horizontal 55.87°(W)~7.18°(T), Vertical 32.3°(W)~4.13°(T)
Zoom ratio		Optical 8x / Digital 12x
Focus Min. Working Distance		0.2m(Wide)/1.0m(Tele)~∞
Focus Control		Auto/Manual/Interval/One Push/Presets
AE Mode		Auto/Shutter Priority/Iris Priority/ AGC Priority/Manual
Brightness		0~14
Manual Shutter		1/1, 1/2, 1/4(3), 1/8(6), 1/15(12), 1/30(25), 1/60(50)~1/10000
Manual Iris		F1.6~F32, Close
Sense-up		Off~32fields
ETC		Spot AE, Slow AE
D&N Mode		Auto/Day(Color)/Night(BW)/External-H or L
White Balance		AUTO/ATW/Indoor/Outdoor/One Push/Manual
Image Freeze		Off/On
Image Flip		Off/Horizontal/Vertical/H+V(180° Flip)
Privacy Mask Zone		8 Zones/14 mask color selectable

Digital Image Stabilization	Yes	
Motion Detection	4 Zones	
D-WDR	Off/Low/Middle/High	
WDR	Off/On, Adjustable (Level:0~29, Contrast:0~5, Bright: 0~19)	
BLC	Off/On, Area selectable	
HLC	Off/On, Area selectable	
AGC	Max.72dB	
Sharpness	Adjustable(0~15)	
3D-DNR	Off/Auto/Low/Middle/High	
2D-DNR	Off/Auto/Low/Middle/High	
Defog	Off/On/Auto	
Presets	256 position Presets(Zoom,Focus), 16Memory Presets, Custom Preset	
Language		English
UART	Remote	RS232 TTL +5.0V(+3.3V compatible)
	Protocol	VISCA/Pelco-D/Pelco-P/ Hitachi: Automatic detection
	Baud rate	2400/4800/9600/19200/38400/57600/115200bps
UTC		UTC(TVI/AVI)
Supply Voltage		12VDC(9V to 15VDC)
Power Consumption		Max.4.4W / Non-working zoom&focus 2.7W
Dimension(mm)		41.6x45x61.6mm
Weight		Approx.124g
Operating Temperature		-10°C~+50°C, Humidity(Less than 90%)
Storage Temperature		-20°C~+60°C, Humidity(Less than 90%)
Remark		

Dimension



Pin Assignment



Pin no.	CN302(TVI/AVI) / Molex : 53261-0771
1	POWER IN: +12VDC
2	GND
3	TXD: CMOS 5.0V Send Data(Compatible 3.3V)
4	RXD: CMOS 5.0V Read Data(Compatible 3.3V)
5	TVI/AVI Output
6	GND
7	Default CVBS Output (Optional: AD KEY)

Pin no.	CN304(FFC Connector) / Molex : 52207-0933
1	Default GND (optional: ADKEY)
2	TVI/AVI Output
3	GND
4	CVBS Output
5	GND
6	POWER IN: +12VDC
7	GND
8	TXD : CMOS 5.0V Send Data(Compatible 3.3V)
9	RXD : CMOS 5.0V Read Data(Compatible 3.3V)

Pin no.	CN303(External D&N) / JST: SM03B-SRSS-TB
1	Ext_D&N: External D&N Input
2	GND
3	+3.3V Out(For Sensor)

Pin no.	CN307(RS-232 TTL) / JST: SM03B-SRSS-TB
1	GND
2	RxD: CMOS 3.3V Read Data
3	TxD: CMOS 3.3V Send Data