

LVDS / Parallel / CVBS

# ATC-HZ5628W-LP

FHD 2.13MP High Resolution  
 28x Rolling Shutter Zoom Camera



## features

- 1/2" Progressive Scan STARVIS CMOS
- 336x AF Zoom (28x optical zoom, 12x digital zoom)
- 1080p 60/50/30/25fps
- Mechanical Day&Night
- True WDR
- 3D DNR, Defog
- UART RS232-TTL (Pelco-D, Pelco C, VISCA, Hitachi)

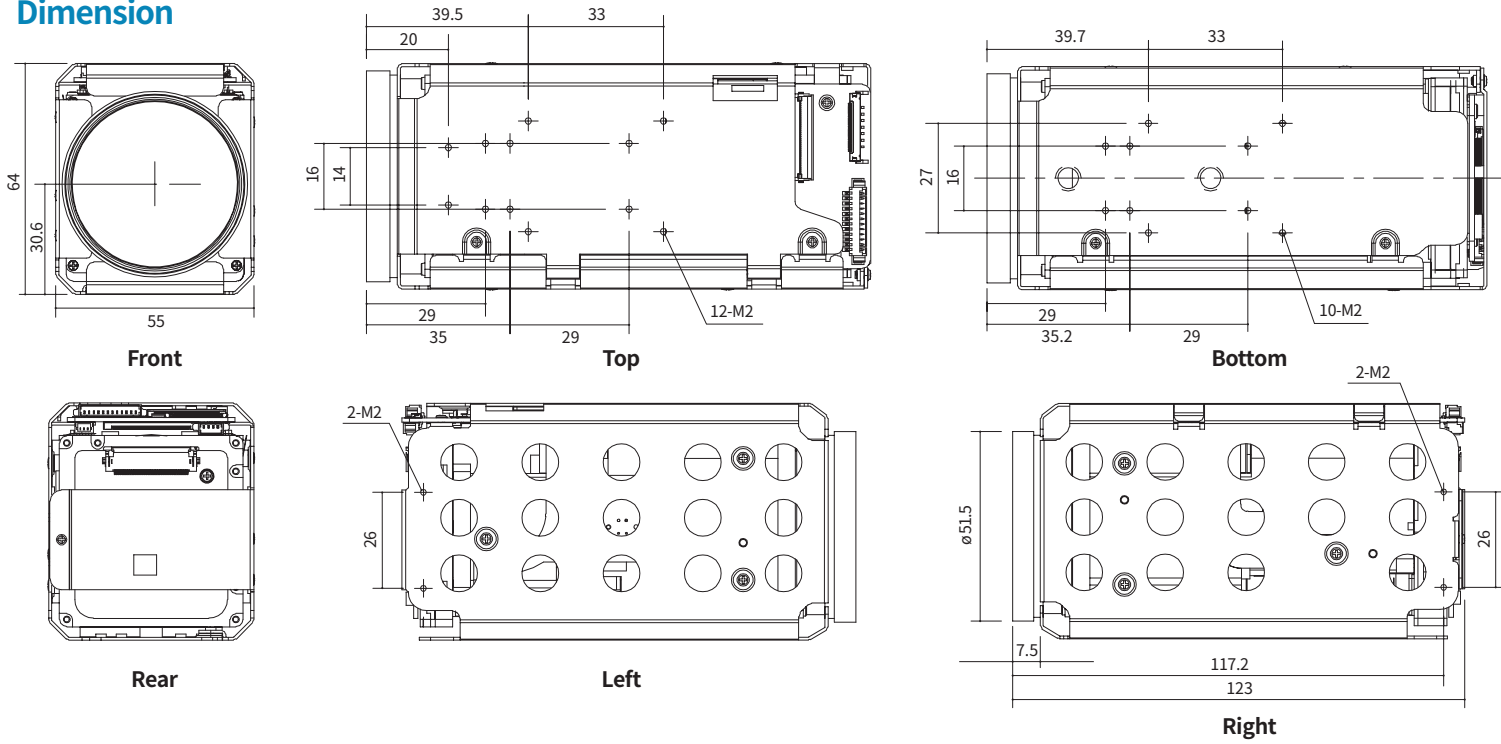
<b>1/2"</b>	<b>60/50fps</b>	<b>28x AF</b>
<b>CMOS</b>	<b>1080p</b>	<b>ZOOM</b>
<b>DNR</b>	<b>MOTION</b>	<b>Rolling Shutter</b>

## Specifications

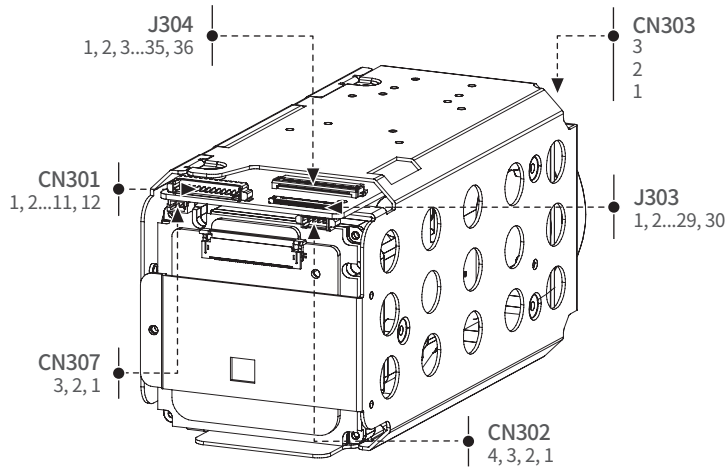
<b>Image Sensor</b>		1/2" Progressive Scan STARVIS CMOS
<b>Effective Pixels</b>		2.13MP 1945(H) x 1097(V)
<b>Video Output Mode</b>	<b>Common</b>	LVDS / Parallel / CVBS
<b>Max. Video Resolution</b>	LVDS / Parallel : 1080p@60(50fps)	
<b>Synchronization system</b>		Internal / External Option
<b>Min. Illumination</b>		Day mode: 0.1Lux(F1.6) Night mode: 0.05Lux(F1.6/ IR-cut filter on) Sens-Up off, AGC45dB
<b>S/N Rate</b>		More than 55dB(AGC off, Sens-Up off)
<b>Type</b>		AF Optical zoom lens(DC Iris), IR Corrective
<b>Lens</b>	<b>Focal Length</b>	f=6.7mm~190mm
	<b>F-value</b>	F1.6(W)~4.7(T)
<b>Angle of View</b>		Horizontal 58.4°(W)~2.1°(T), Vertical 34.1°(W)~1.2°(T)
<b>Zoom ratio</b>		Optical 28x / Digital 12x
<b>Focus Min. Working Distance</b>		0.1m(Wide)/1.0m(Tele)~∞
<b>Focus Control</b>		Auto/Manual/Interval/One Push/Preset
<b>AE Mode</b>		Auto/Shutter Priority/Iris Priority/ AGC Priority/Manual
<b>Brightness</b>		0~14
<b>Manual Shutter</b>		1/1, 1/2, 1/4(3), 1/8(6), 1/15(12), 1/30(25), 1/60(50)~1/10000
<b>Manual Iris</b>		F1.6~F32, Close
<b>Sense-up</b>		Off~32fields
<b>ETC</b>		Spot AE, Slow AE
<b>D&amp;N Mode</b>		Auto/Day(Color)/Night(BW)/External-H or L
<b>White Balance</b>		AUTO/ATW/Indoor/Outdoor/One Push/Manual
<b>Image Freeze</b>		Off/On
<b>Image Flip</b>		Off/Horizontal/Vertical/H+V(180° Flip)
<b>Privacy Mask Zone</b>		8 Zones/14 mask color selectable

<b>Digital Image Stabilization</b>	Yes	
<b>Motion Detection</b>	4 Zones	
<b>D-WDR</b>	Off/Low/Middle/High	
<b>WDR</b>	Off/On, Adjustable (Level:0~29, Contrast:0~5, Bright:0~19)	
<b>BLC</b>	Off/On, Area selectable	
<b>HLC</b>	Off/On, Area selectable	
<b>AGC</b>	Max.72dB	
<b>Sharpness</b>	Adjustable(0~15)	
<b>3D-DNR</b>	Off/Auto/Low/Middle/High	
<b>2D-DNR</b>	Off/Auto/Low/Middle/High	
<b>Defog</b>	Off/On/Auto	
<b>Preset</b>	256 position Presets(Zoom,Focus), 16Memory Presets, Custom Preset	
<b>Language</b>	English	
<b>UART</b>	<b>Remote</b>	RS232 TTL +5.0V(+3.3V compatible)
	<b>Protocol</b>	VISCA/Pelco-D/Pelco-P/ Hitachi: Automatic detection
	<b>Baud rate</b>	2400/4800/9600/19200/38400/57600/115200bps
<b>Supply Voltage</b>	12VDC(9V to 15VDC)	
<b>Power Consumption</b>	Max.6.8W / Non-working zoom&focus 4.2W	
<b>Dimension(mm)</b>	55x64x123mm	
<b>Weight</b>	Approx.380g	
<b>Operating Temperature</b>	-10°C~+50°C, Humidity(Less than 90%)	
<b>Storage Temperature</b>	-20°C~+60°C, Humidity(Less than 90%)	
<b>Remark</b>		

## Dimension



## Pin Assignment



Pin no.	CN301(External I/O) / Molex : 53261-1271
1	Vsync_OUT
2	Hsync_OUT
3	VCLK_OUT
4	GND
5	Vsync_IN
6	Hsync_IN
7	VCLK_IN
8	GND
9	N/A
10	N/A
11	N/A
12	N/A

Pin no.	CN302(CVBS) / Molex: 53261-0471
1	POWER IN: +12VDC
2	GND
3	VIDEO: CVBS Output
4	AD_KEY

Pin no.	CN303(External D&N) / JST: SM03B-SRSS-TB
1	Ext_D&N: External D&N Input
2	GND
3	+3.3V Out(For sensor)

Pin no.	CN307(RS-232TTL) / JST: SM03B-SRSS-TB
1	GND
2	RxD: CMOS 3.3V Read Data
3	TxD: CMOS 3.3V Send Data

Pin no.	J303(Micro Co-Axial) / KEL Co.USL00-30L-C
1	TX_OUT3+
2	TX_OUT3-
3	TX_CLKOUT+
4	TX_CLKOUT-
5	TX_OUT2+
6	TX_OUT2-
7	TX_OUT1+
8	TX_OUT1-
9	TX_OUT0+
10	TX_OUT0-
11	GND
12	TXD: CMOS 5.0V Send Data(Compatible 3.3V)
13	RXD: CMOS 5.0V Read Data(Compatible 3.3V)
14	+12VDC
15	+12VDC
16	+12VDC
17	+12VDC
18	+12VDC
19	GND
20	GND
21	TX_OUT7+ : Single out mode (open)
22	TX_OUT7- : Single out mode(open)
23	TX_OUT6+ : Single out mode(open)
24	TX_OUT6- :Single out mode(open)
25	CVBS Output
26	RESET_IN: Reset - Low(GND), Normal(1.8V)
27	TX_OUT5+ :Single out mode(open)
28	TX_OUT5- :Single out mode(open)
29	TX_OUT4+ :Single out mode(open)
30	TX_OUT4- :Single out mode(open)

Pin no.	J304(FFC Connector) / Hirose : FH12-36S-05SH(55)
1	GND
2	Y_OUT[0]
3	Y_OUT[1]
4	Y_OUT[2]
5	Y_OUT[3]
6	GND
7	Y_OUT[4]
8	Y_OUT[5]
9	Y_OUT[6]
10	Y_OUT[7]
11	GND
12	C_OUT[0]
13	C_OUT[1]
14	C_OUT[2]
15	C_OUT[3]
16	GND
17	C_OUT[4]
18	C_OUT[5]
19	C_OUT[6]
20	C_OUT[7]
21	GND
22	VSYNC
23	HSYNC
24	GND
25	VCLK_OUT
26	GND
27	GND
28	GND
29	GND
30	GND
31	POWER IN: +12VDC
32	POWER IN: +12VDC
33	POWER IN: +12VDC
34	GND
35	TXD: CMOS 5.0V Send Data(Compatible 3.3V)
36	RXD: CMOS 5.0V Read Data(Compatible 3.3V)