

HD-SDI / EX-SDI(V1.0) / CVBS / AVI

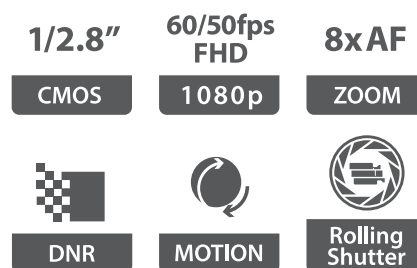
ATC- HZ7808C-A

FHD 2.13MP High Resolution
 8x Rolling Shutter Zoom Camera



features

- 1/2.8" Progressive Scan STARVIS CMOS
- 96x AF Zoom
(8x optical zoom, 12x digital zoom)
- 1080p 60/50/30/25fps
- Mechanical Day&Night
- True WDR
- 3D DNR, Defog
- UART RS232-TTL (Pelco-D, Pelco C, VISCA, Hitachi)

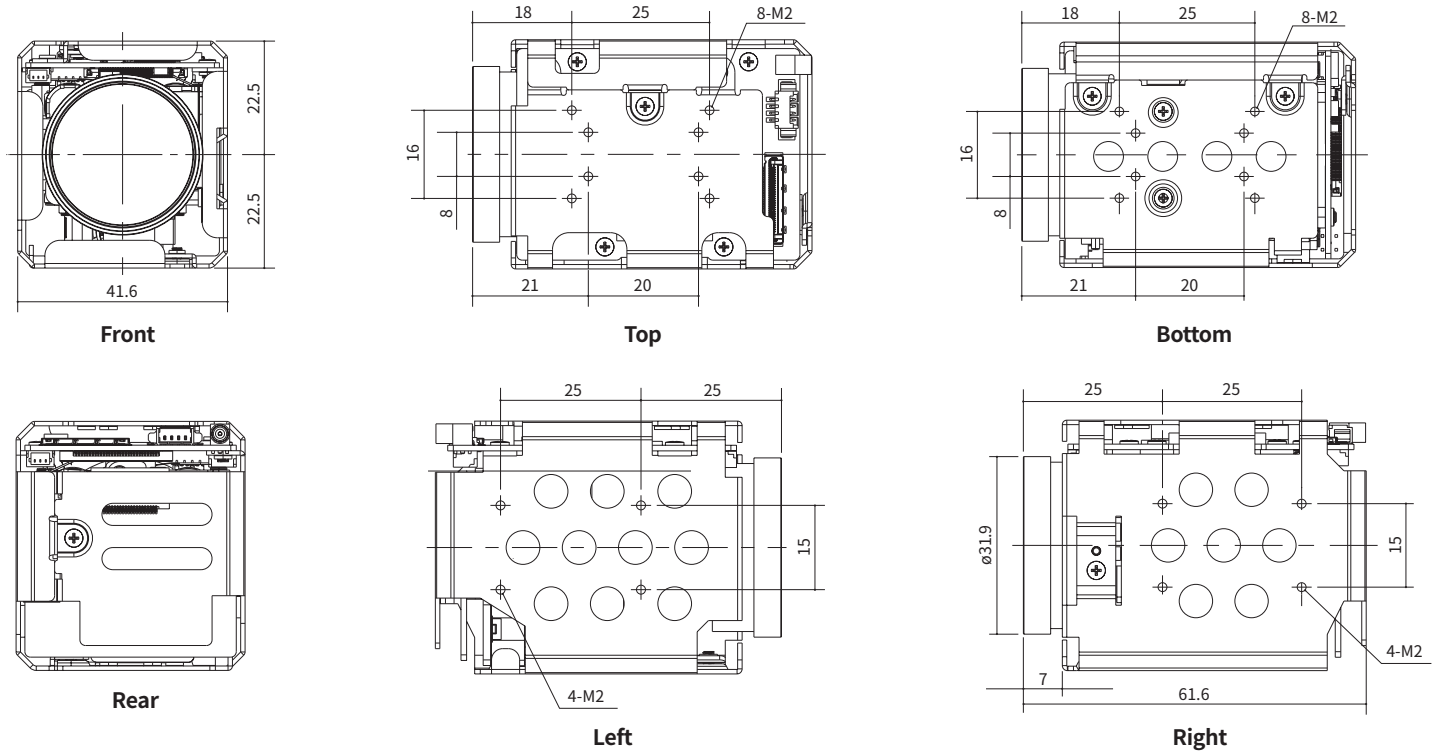


Specifications

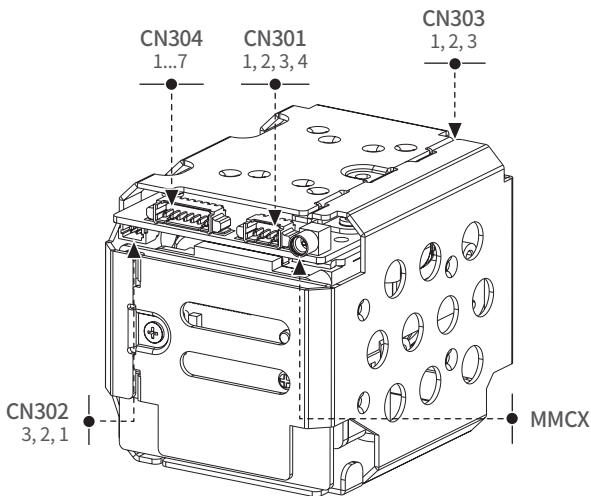
Image Sensor		1/2.8" Progressive Scan STARVIS CMOS
Effective Pixels		2.13MP 1945(H) x 1097(V)
Video Output Mode	Common	HD-SDI / EX-SDI(V1.0) / CVBS
	AVI/TVI/LVDS	AVI
Max. Video Resolution		HD-SDI:1080p@60(50fps), EX-SDI/AVI:1080p@30(25fps)
Synchronization system		Internal
Min. Illumination		Day mode: 0.05Lux(F1.7) Night mode: 0.03Lux(F1.7/ IR-cut filter on) Sens-Up off, AGC28dB
S/N Rate		More than 52dB(AGC off, Sens-Up off)
Type		AF Optical zoom lens(DC Iris), IR Corrective
Lens	Focal Length	f=5.6mm~43.7mm
	F-value	F1.7(W)~1.9(T)
Angle of View		Horizontal 55.87°(W)~7.18°(T), Vertical 32.3°(W)~4.13°(T)
Zoom ratio		Optical 8x / Digital 12x
Focus Min. Working Distance		0.2m(Wide)/1.0m(Tele)~∞
Focus Control		Auto/Manual/Interval/One Shot/Presets
AE Mode		Auto/Shutter Priority/ Iris Priority/Manual
Brightness		0~14
Manual Shutter		1/1, 1/2, 1/4(3), 1/8(6), 1/15(12), 1/30(25), 1/60(50)~1/30000
Manual Iris		F1.6~F19, Close
Sense-up		Off~32fields
ETC		Spot AE, Slow AE
D&N Mode		Auto/Day(Color)/Night(BW)/External-H or L
White Balance		AUTO/ATW/Indoor/Outdoor/One Push/Manual
Image Freeze		Off/On
Image Flip		Off/Horizontal/Vertical/H+V(180° Flip)
Privacy Mask Zone		16 Zones/ 14 mask color selectable, semi-transparency

Digital Image Stabilization	Yes	
Motion Detection	4 Zones	
D-WDR	Off/Low/Middle/High	
WDR	Off/Low/Middle/High	
BLC	Off/On, Area selectable	
HLC	Off/0~20, Color selectable	
AGC	Max.58dB	
Sharpness	Adjustable(0~15)	
3D-DNR	On/Off(1~5)	
2D-DNR	Auto/Manual	
Defog	Off/Low/Middle/High	
Presets	256 position Presets(Zoom,Focus), 16Memory Presets, Custom Preset	
Language	English, Japanese, Russian, Spanish, German, France, Portuguese, Chinese	
UART	Remote	RS232 TTL +5.0V(+3.3V compatible)
	Protocol	VISCA/Pelco-D/Pelco-P/ Hitachi: Automatic detection
	Baud rate	2400/4800/9600/19200/38400/57600/115200bps
UTC	AVI-UTC	
Supply Voltage	12VDC(9V to 15VDC)	
Power Consumption	Max.4.2W / Non-working zoom&focus 2.6W	
Dimension(mm)	41.6x45x61.6mm	
Weight	Approx.124g	
Operating Temperature	-10°C~+50°C, Humidity(Less than 90%)	
Storage Temperature	-20°C~+60°C, Humidity(Less than 90%)	
Remark		

Dimension



Pin Assignment



Jack	SDI Output connector / MMCX Jack Connector
------	--

Pin no.	CN301(CVBS) / Molex: 53261-0471
1	POWER IN : +12VDC
2	GND
3	VIDEO : CVBS Output
4	AD_KEY

Pin no.	CN302(RS-232 TTL) / JST: SM03B-SRSS-TB
1	GND
2	RxD : CMOS 3.3V Read Data
3	TxD : CMOS 3.3V Send Data

Pin no.	CN303(External D&N) / JST: SM03B-SRSS-TB
1	Ext_D&N : External D&N Input
2	GND
3	+3.3V Out(For Sensor)

Pin no.	CN304(1.25mm Header) / Molex: 53261-0771
1	DC_IN : +12VDC
2	GND
3	TxD : CMOS 5.0V Send Data(Compatible 3.3V)
4	RxD : CMOS 5.0V Read Data(Compatible 3.3V)
5	AVI Output
6	GND
7	Default CVBS Output (Optional: AD KEY)