

HD-SDI / EX-SDI(V1.0) / CVBS / TVI / AVI / LVDS

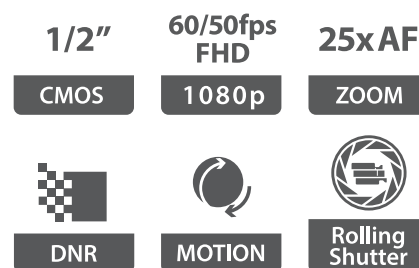
ATC- HZ7825W-LTA

FHD 2.13MP High Resolution
 25x Rolling Shutter Zoom Camera



features

- 1/2" Progressive Scan STARVIS CMOS
- 300x AF Zoom
(25x optical zoom, 12x digital zoom)
- 1080p 60/50/30/25fps
- Mechanical Day&Night
- True WDR
- 3D DNR, Defog
- UART RS232-TTL (Pelco-D, Pelco C, VISCA, Hitachi)

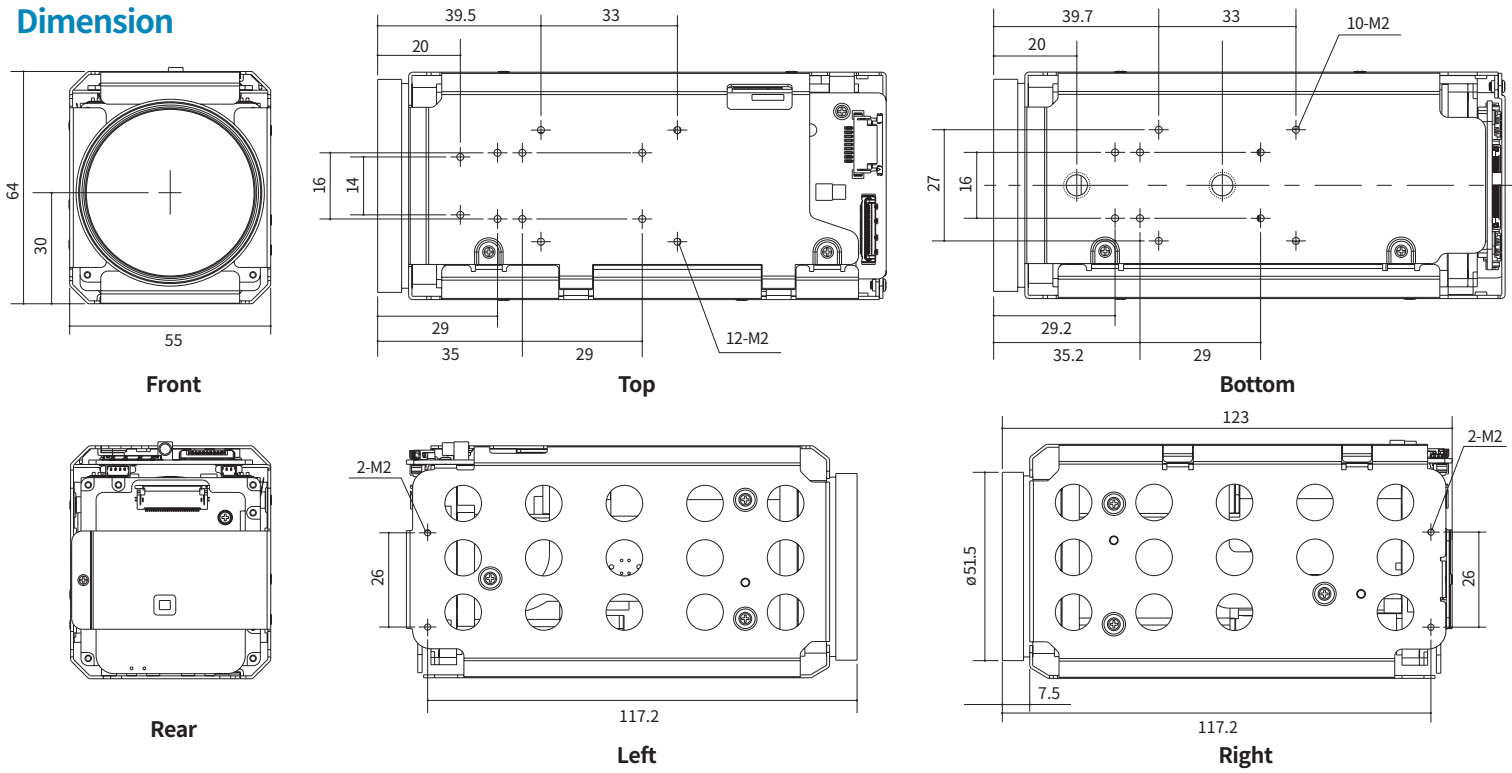


Specifications

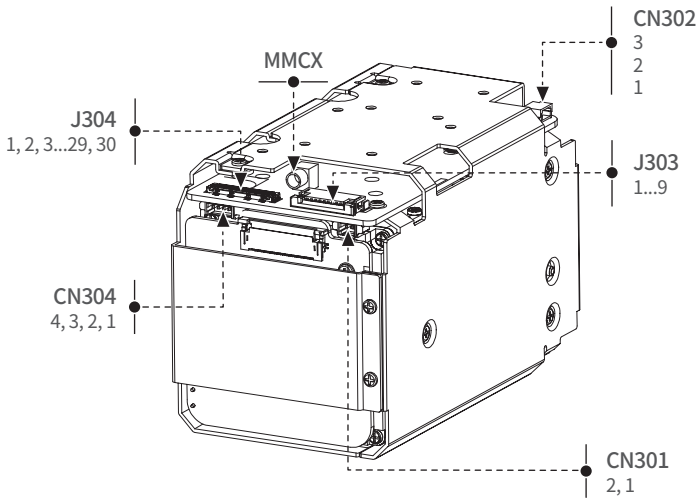
Image Sensor		1/2" Progressive Scan STARVIS CMOS
Effective Pixels		2.13MP 1945(H) x 1097(V)
Video Output Mode	Common	HD-SDI / EX-SDI(V1.0) / CVBS
	AVI/TVI/LVDS	TVI / AVI / LVDS
Max. Video Resolution		HD-SDI/LVDS:1080p@60(50fps), EX-SDI/TVI/AVI:1080p@30(25fps)
Synchronization system		Internal
Min. Illumination		Day mode: 0.1Lux(F1.6) Night mode: 0.05Lux(F1.6/ IR-cut filter on) Sens-Up off, AGC28dB
S/N Rate		More than 52dB(AGC off, Sens-Up off)
Type		AF Optical zoom lens(DC Iris), IR Corrective
Lens	Focal Length	f=6.7mm~166.6mm
	F-value	F1.6(W)~4.7(T)
Angle of View		Horizontal 58.4°(W)~2.4°(T), Vertical 34.1°(W)~1.4°(T)
Zoom ratio		Optical 25x / Digital 12x
Focus Min. Working Distance		0.1m(Wide)/1.0m(Tele)~∞
Focus Control		Auto/Manual/Interval/One Shot/Presets
AE Mode		Auto/Shutter Priority/ Iris Priority/Manual
Brightness		0~14
Manual Shutter		1/1, 1/2, 1/4(3), 1/8(6), 1/15(12), 1/30(25), 1/60(50)~1/30000
Manual Iris		F1.6~F19, Close
Sense-up		Off~32fields
ETC		Spot AE, Slow AE
D&N Mode		Auto/Day(Color)/Night(BW)/External-H or L
White Balance		AUTO/ATW/Indoor/Outdoor/One Push/Manual
Image Freeze		Off/On
Image Flip		Off/Horizontal/Vertical/H+V(180° Flip)
Privacy Mask Zone		16 Zones/ 14 mask color selectable, semi-transparency

Digital Image Stabilization	Yes	
Motion Detection	4 Zones	
D-WDR	Off/Low/Middle/High	
WDR	Off/Low/Middle/High	
BLC	Off/On, Area selectable	
HLC	Off/0~20, Color selectable	
AGC	Max.58dB	
Sharpness	Adjustable(0~15)	
3D-DNR	On/Off(1~5)	
2D-DNR	Auto/Manual	
Defog	Off/Low/Middle/High	
Presets	256 position Presets(Zoom,Focus), 16Memory Presets, Custom Preset	
Language	English, Japanese, Russian, Spanish, German, France, Portuguese	
UART	Remote	RS232 TTL +5.0V(+3.3V compatible)
	Protocol	VISCA/Pelco-D/Pelco-P/ Hitachi: Automatic detection
	Baud rate	2400/4800/9600/19200/38400/57600/115200bps
UTC	TVI / AVI-UTC	
Supply Voltage	12VDC(9V to 15VDC)	
Power Consumption	Max.5.5W / Non-working zoom&focus 3.3W	
Dimension(mm)	55x64x123mm	
Weight	Approx.380g	
Operating Temperature	-10°C~+50°C, Humidity(Less than 90%)	
Storage Temperature	-20°C~+60°C, Humidity(Less than 90%)	
Remark		

Dimension



Pin Assignment



Jack	SDI Output connector / MMCX Jack Connector
------	--

Pin no.	CN301(RS485) / Molex 53261-0271
1	TRX+
2	TRX-

Pin no.	CN302(External D&N) / JST:SM03B-SRSS-TB
1	Ext_D&N: External D&N Input
2	GND
3	+3.3V Out(For Sensor)

Pin no.	CN304(TVI / AVI) / Molex 53261-0471
1	POWER IN : +12VDC
2	GND (12VDC)
3	TVI/AVI Output
4	GND (TVI/AVI)

Pin no.	J303 / Molex : 52207-0933
1	Default GND (Optional : RS485_EN or AD key)
2	TVI/AVI Output
3	GND
4	CVBS Output
5	GND
6	DC_IN: +12VDC
7	GND
8	TXD : CMOS 5.0V Send Data(Compatible 3.3V)
9	RXD : CMOS 5.0V Read Data(Compatible 3.3V)

Pin no.	J304(Micro Co-Axial) / KEL Co.USL00-30L-C
1	TX_OUT3+
2	TX_OUT3-
3	TX_CLKOUT+
4	TX_CLKOUT-
5	TX_OUT2+
6	TX_OUT2-
7	TX_OUT1+
8	TX_OUT1-
9	TX_OUT0+
10	TX_OUT0-
11	GND
12	TXD: CMOS 5.0V Send Data(Compatible 3.3V)
13	RXD: CMOS 5.0V Read Data(Compatible 3.3V)
14	+12VDC
15	+12VDC
16	+12VDC
17	+12VDC
18	+12VDC
19	GND
20	GND
21	TX_OUT7+ : Single out mode (open)
22	TX_OUT7- : Single out mode(open)
23	TX_OUT6+ : Single out mode(open)
24	TX_OUT6- :Single out mode(open)
25	CVBS Output
26	RESET_IN: Reset - Low(GND), Normal(1.8V)
27	TX_OUT5+ :Single out mode(open)
28	TX_OUT5- :Single out mode(open)
29	TX_OUT4+ :Single out mode(open)
30	TX_OUT4- :Single out mode(open)