

HD-SDI / EX-SDI(V1.0) / CVBS / TVI / LVDS

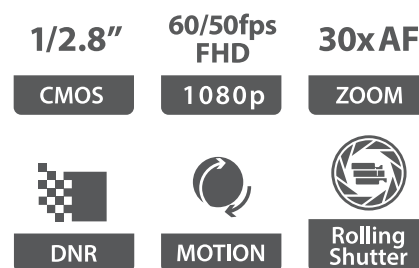
# ATC- HZ7830T-LT

FHD 2.13MP High Resolution  
 30x Rolling Shutter Zoom Camera



## features

- 1/2.8" Progressive Scan STARVIS CMOS
- 360x AF Zoom  
(30x optical zoom, 12x digital zoom)
- 1080p 60/50/30/25fps
- Mechanical Day&Night
- True WDR
- 3D DNR, Defog
- UART RS232-TTL (Pelco-D, Pelco C, VISCA, Hitachi)

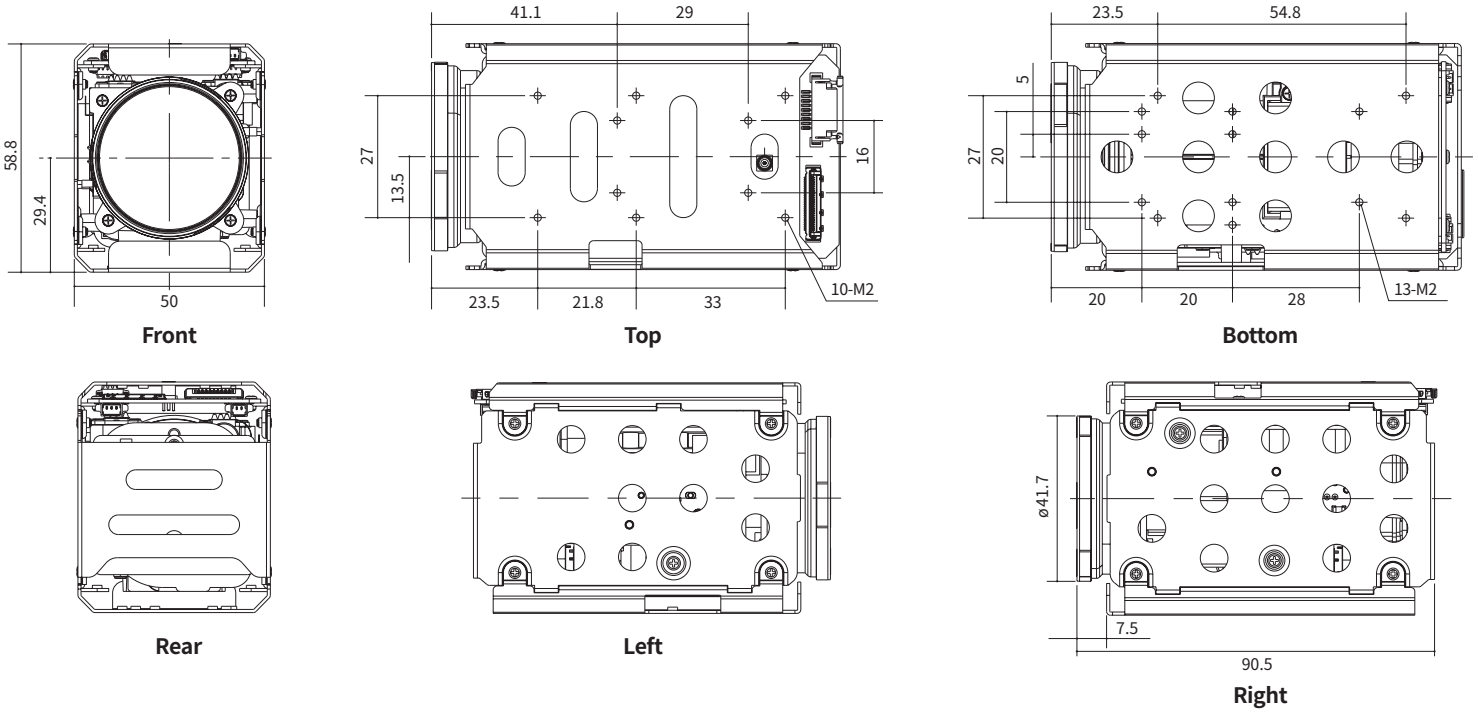


## Specifications

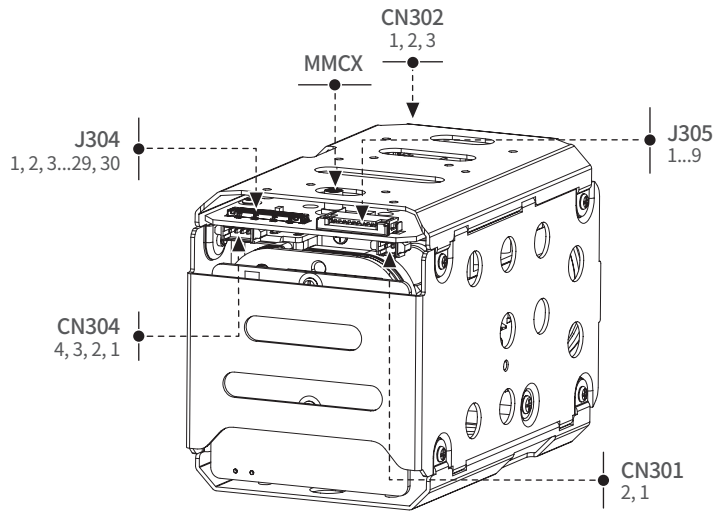
Image Sensor	1/2.8" Progressive Scan STARVIS CMOS
Effective Pixels	2.13MP 1945(H) x 1097(V)
Video Output Mode	Common HD-SDI / EX-SDI(V1.0) / CVBS
	AVI/TVI/LVDS TVI / LVDS
Max. Video Resolution	HD-SDI/LVDS:1080p@60(50fps), EX-SDI/TVI:1080p@30(25fps)
Synchronization system	Internal
Min. Illumination	Day mode: 0.1Lux(F1.6)
	Night mode: 0.05Lux(F1.6/ IR-cut filter on) Sens-Up off, AGC28dB
S/N Rate	More than 52dB(AGC off, Sens-Up off)
Type	AF Optical zoom lens(DC Iris), IR Corrective
Lens	Focal Length f=4.3mm~129mm
	F-value F1.6(W)~5.0(T)
Angle of View	Horizontal 66.9°(W)~2.5°(T), Vertical 39.7°(W)~1.4°(T)
Zoom ratio	Optical 30x / Digital 12x
Focus Min. Working Distance	0.01m(Wide)/1.0m(Tele)~∞
Focus Control	Auto/Manual/Interval/One Shot/Presets
AE Mode	Auto/Shutter Priority/Iris Priority/Manual
Brightness	0~14
Manual Shutter	1/1, 1/2, 1/4(3), 1/8(6), 1/15(12), 1/30(25), 1/60(50)~1/30000
Manual Iris	F1.6~F19, Close
Sense-up	Off~32fields
ETC	Spot AE, Slow AE
D&N Mode	Auto/Day(Color)/Night(BW)/External-H or L
White Balance	AUTO/ATW/Indoor/Outdoor/One Push/Manual
Image Freeze	Off/On
Image Flip	Off/Horizontal/Vertical/H+V(180° Flip)
Privacy Mask Zone	16 Zones/ 14 mask color selectable, semi-transparency

Digital Image Stabilization	Yes
Motion Detection	4 Zones
D-WDR	Off/Low/Middle/High
WDR	Off/Low/Middle/High
BLC	Off/On, Area selectable
HLC	Off/0~20, Color selectable
AGC	Max.58dB
Sharpness	Adjustable(0~15)
3D-DNR	On/Off(1~5)
2D-DNR	Auto/Manual
Defog	Off/Low/Middle/High
Presets	256 position Presets(Zoom,Focus), 16Memory Presets, Custom Preset
Language	English, Japanese, Russian, Spanish, German, France, Portuguese
	Remote RS232 TTL +5.0V(+3.3V compatible)
	Protocol VISCA/Pelco-D/Pelco-P/Hitachi: Automatic detection
Baud rate	2400/4800/9600/19200/38400/57600/115200bps
UTC	TVI-UTC
Supply Voltage	12VDC(9V to 15VDC)
Power Consumption	Max.5.0W / Non-working zoom&focus 3.0W
Dimension(mm)	50x58.8x90.5mm
Weight	Approx.244g
Operating Temperature	-10°C~+50°C, Humidity(Less than 90%)
Storage Temperature	-20°C~+60°C, Humidity(Less than 90%)
Remark	

## Dimension



## Pin Assignment



Jack	SDI Output connector / MMCX Jack Connector
------	--

Pin no.	CN301(RS485) / Molex 53261-0271
1	TRX+
2	TRX-

Pin no.	CN302(External D&N) / JST:SM03B-SRSS-TB
1	Ext D&N : External D&N Input
2	GND
3	+3.3V Out(For Sensor)

Pin no.	CN304(TVI) / Molex 53261-0471
1	POWER IN : +12VDC
2	GND (12VDC)
3	TVI Output
4	GND (TVI)

Pin no.	J305 / Molex : 52207-0933
1	Default GND (Optional : RS485_EN or AD key)
2	TVI Output
3	GND
4	CVBS Output
5	GND
6	DC_IN: +12VDC
7	GND
8	TXD : CMOS 5.0V Send Data(Compatible 3.3V)
9	RXD : CMOS 5.0V Read Data(Compatible 3.3V)

Pin no.	J304(Micro Co-Axial) / KEL Co.USL00-30L-C
1	TX_OUT3+
2	TX_OUT3-
3	TX_CLKOUT+
4	TX_CLKOUT-
5	TX_OUT2+
6	TX_OUT2-
7	TX_OUT1+
8	TX_OUT1-
9	TX_OUT0+
10	TX_OUT0-
11	GND
12	TXD : CMOS 5.0V Send Data(Compatible 3.3V)
13	RXD : CMOS 5.0V Read Data(Compatible 3.3V)
14	+12VDC
15	+12VDC
16	+12VDC
17	+12VDC
18	+12VDC
19	GND
20	GND
21	TX_OUT7+ : Single out mode (open)
22	TX_OUT7- : Single out mode(open)
23	TX_OUT6+ : Single out mode(open)
24	TX_OUT6- : Single out mode(open)
25	CVBS Output
26	RESET_IN : Reset - Low(GND), Normal(1.8V)
27	TX_OUT5+ : Single out mode (open)
28	TX_OUT5- : Single out mode (open)
29	TX_OUT4+ : Single out mode (open)
30	TX_OUT4- : Single out mode (open)