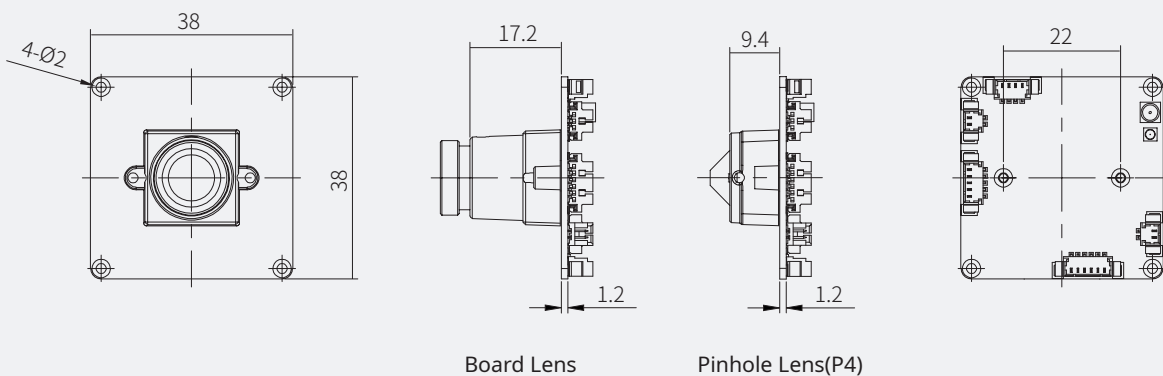


# Camera Module

# ATC-TVI381

- Sony 1/2.9" 2.19MP Progressive Scan CMOS
- 1080p(1920x1080)@30(25)fps
- 4in1 Output(AVI, TVI, CVI, CVBS)
- Varifocal DC Iris lens 2.8~12mm
- Mechanical Day&Night
- WDR, 3D DNR, Defog
- UTC function supports OSD Control
- Camera module

## Dimensions



# Camera Module

# ATC-TVI381

## Specifications

<b>Image Sensor</b>	1/2.9" Progressive Scan CMOS		<b>Privacy Mask</b>	16 Zones
<b>Effective Pixels</b>	1985(H) x 1105(V)		<b>Image Rotation</b>	OFF/H-FLIP/V-FLIP/HV-FLIP
<b>Max. Video Resolution</b>	TVI, AVI, CVI : 1080p@30(25)fps/ 720p@60fps(50fps)/720p@30fps(25fps)		<b>Defog</b>	OFF/ON(AUTO/MANUAL)
	TV out : CVBS NTSC/PAL		<b>Sharpness</b>	0~10
<b>Type</b>	Varifocal DC Iris lens		<b>OSD control</b>	UTC
<b>Lens</b>	<b>Focal Length</b>	2.8~12mm(2MP), F 1.6	<b>Language</b>	ENGLISH,Русский, ESPAÑOL, DEUTSCH, FRANCAISE, PORTUGUÊS, 日本語, 한국어
	<b>Angle of View</b>	133.4 ~39.7 (D)x110.3 ~34.5 (H)x57.0 ~19.3 (V)		
<b>Min.Illumination</b>	0.2Lux(F1.6, AGC33dB, DSS:x2)		<b>Video Output mode</b>	AVI, TVI, CVI, CVBS
<b>IR LEDs</b>	-		<b>General</b>	
<b>IR Range</b>	-		<b>Ingress Protection Grade</b>	-
<b>White Balance</b>	AUTO/AUTO EXT/PUSH LOCK/MANUAL		<b>Operating Temperature</b>	-10°C~+50°C
<b>Dynamic Range</b>	<b>WDR/BLC</b>	OFF/BLC/HLC/WDR(4 Zones selectable)	<b>Storage Temperature</b>	-20°C~+60°C
	<b>D-WDR</b>	OFF/LOW/MIDDLE/HIGH	<b>Dimension(mm)</b>	38x38mm
	<b>Level</b>	132.6dB	<b>Weight</b>	Approx.45.6g
<b>Electronic Shutter Speed</b>	AUTO/FLICKER/MANUAL/(1/30(25)~1/30,000)		<b>Power Source</b>	12VDC(±10%)
<b>Digital Slow Shutter(DSS)</b>	OFF~ x32		<b>Power Consumption</b>	Max.140mA@12VDC
<b>Auto Gain Control(AGC)</b>	OFF~45dB			
<b>Day&amp;Night</b>	AUTO/COLOR/B&W (Electronic D&N)			
<b>Noise Deduction</b>	3D-DNR(OFF/LOW/MIDDLE/HIGH)			
<b>Motion Detection</b>	OFF/ON(4 Zones)			