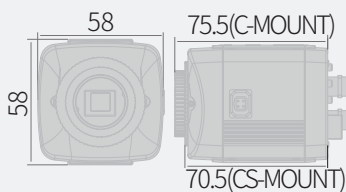


4 IN 1 Camera

KTC-MBN6422x

- Sony 1/2.8" 2.13MP Progressive Scan SONY STARVIS CMOS
- 1080p(1920x1080)@30(25)fps
- 4in1 Output(AVI, TVI, CVI, CVBS)
- C/CS Mount for lens
- Mechanical Day&Night
- WDR, 3D DNR, Defog
- UTC function supports OSD Control
- Box Camera

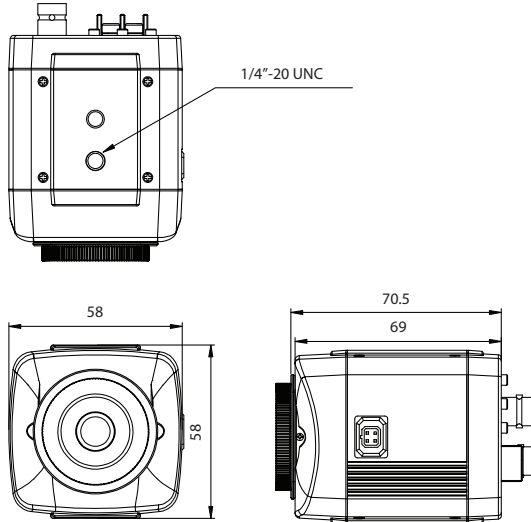


4 IN 1 Camera

KTC-MBN6422x

Dimensions

Unit:mm



Specifications

Image Sensor	1/2.8" Progressive Scan SONY STARVIS CMOS	Privacy Mask	16 Zones
Effective Pixels	1945(H) x 1097(V)	Image Rotation	OFF/H-FLIP/V-FLIP/HV-FLIP
Max. Video Resolution	TVI, AVI, CVI : 1080p@30(25)fps/ 720p@60fps(50fps)/720p@30fps(25fps) TV out: CVBS NTSC/PAL	Defog	OFF/ON(AUTO/MANUAL)
Type	C/CS Mount lens	Sharpness	0~10
Lens Focal Length	Depend on lens	OSD control	Rear OSD button, UTC
Angle of View	Depend on lens	Language	ENGLISH, Русский, ESPAÑOL, DEUTSCH, FRANCAISE, PORTUGUÊS, 日本語, 한국어
Min.Illumination	0.03Lux(F1.2, ICR OFF, AGC33dB, DSS:x2)	Video Output mode	AVI, TVI, CVI, CVBS
IR LEDs	-	General	
IR Range	-	IP Rating	-
White Balance	AUTO/AUTO EXT/PUSH LOCK/MANUAL	Operating Temperature	-10°C~+50°C
Dynamic Range	WDR/BLC	Storage Temperature	-20°C~+60°C
	D-WDR	Dimension(mm)	58X58X70.5mm
	Level	Weight	Approx.180g
Electronic Shutter Speed	AUTO/FLICKER/MANUAL/(1/30(25)~1/30,000)	Power Source	12VDC(±10%)
Digital Slow Shutter(DSS)	OFF~ x32	Power Consumption	Max.140mA@12VDC
Auto Gain Control(AGC)	OFF~45dB	Option	
Day&Night	AUTO/COLOR/B&W (Electronic D&N)	Power Source	DUAL POWER(24VAC/12VDC)
Noise Deduction	3D-DNR(OFF/LOW/MIDDLE/HIGH)	Power Consumption	24VAC(±10%), Max.2.8W 12VDC(±10%), Max.200mA
Motion Detection	OFF/ON(4 Zones)	Lens	