

LVDS / CVBS

# ATC-HZ5208C-LC

FHD 2.13MP High Resolution  
 8x Rolling Shutter Zoom Camera



## features

- 1/2.8" Progressive Scan STARVIS CMOS
- 96x AF Zoom  
(8x optical zoom, 12x digital zoom)
- 1080p 60/50/30/25fps
- Mechanical Day&Night
- True WDR, 3D DNR, Defog
- External Synchronization
- UART RS232-TTL (Pelco-D/P, VISCA, AFP/EAP)

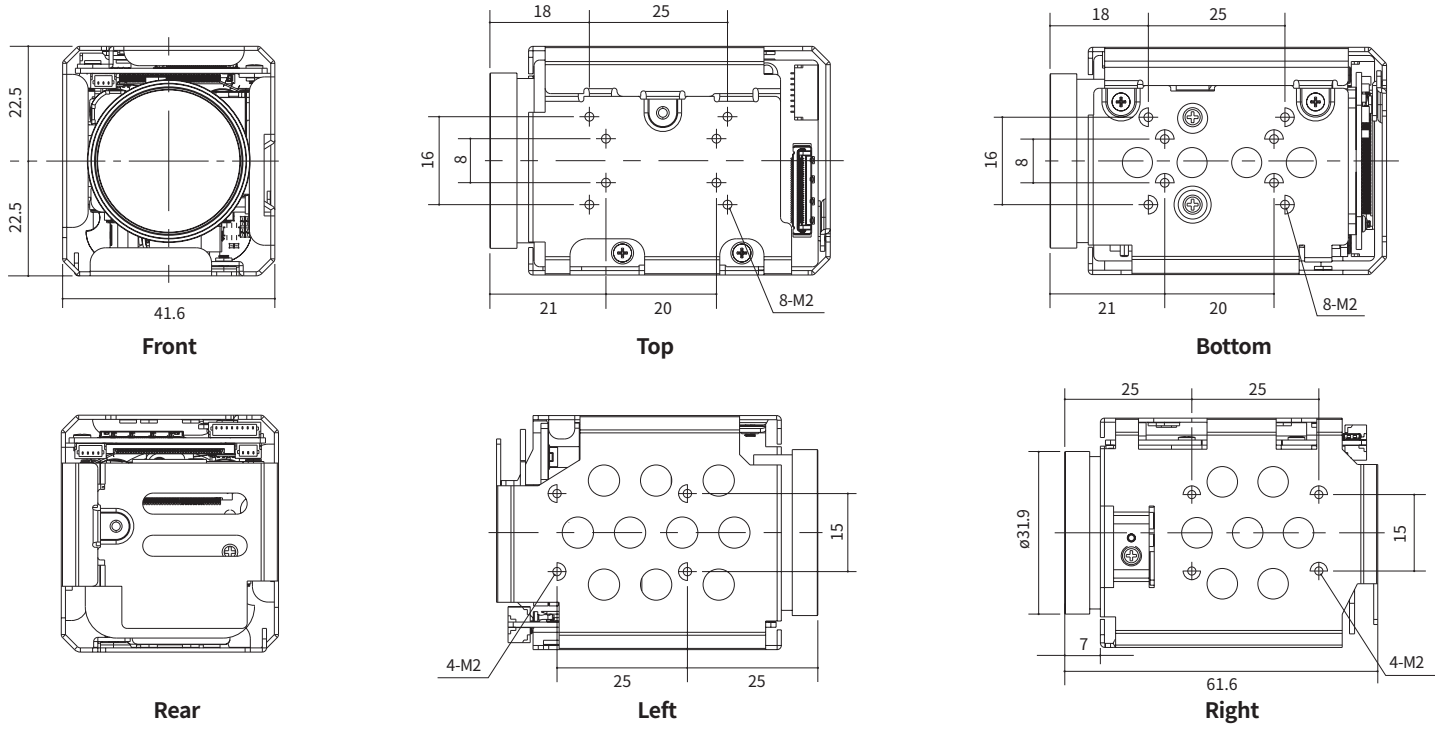
<b>1/2.8"</b>	<b>60/50fps</b>	<b>8x AF</b>
<b>CMOS</b>	<b>FHD</b>	<b>ZOOM</b>
	<b>1080p</b>	
<b>DNR</b>	<b>MOTION</b>	<b>External sync</b>
		<b>ROLLING SHUTTER</b>

## Specifications

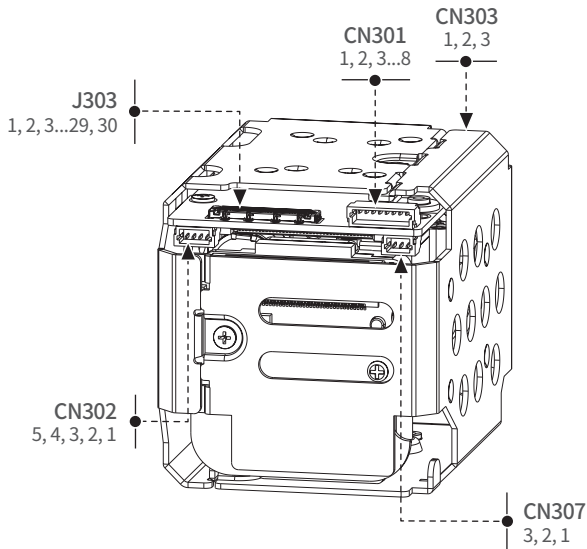
<b>Image Sensor</b>		1/2.8" Progressive Scan STARVIS CMOS
<b>Effective Pixels</b>		2.13MP 1945(H) x 1097(V)
<b>Video Output Mode</b>	<b>Common</b>	LVDS / CVBS
<b>Max. Video Resolution</b>		LVDS:1080p@60(50fps)
<b>Synchronization system</b>		Internal / External
<b>Min. Illumination</b>		Day mode: 0.01Lux(F1.7) Night mode: 0.006Lux(F1.7/ ICR on) Sens-Up off, AGC60dB
<b>S/N Rate</b>		More than 55dB(AGC off, Sens-Up off)
<b>Type</b>		AF Optical zoom lens(DC Iris), IR Corrective
<b>Lens</b>	<b>Focal Length</b>	f=5.6mm~43.7mm
	<b>F-value</b>	F1.7(W)~1.9(T)
	<b>Angle of View</b>	H 55.87°(W)~7.18°(T), V 32.30°(W)~4.13°(T)
<b>Zoom ratio</b>		Optical 8x / Digital 12x
<b>Focus Min. Working Distance</b>		0.01m(Wide)/1.0m(Tele)~∞
<b>Focus Control</b>		Auto/Manual/Interval/One Shot/Presets
<b>AE Mode</b>		Auto/Shutter Priority/Iris Priority/ AGC Priority/Manual
<b>Brightness</b>		0~20
<b>Manual Shutter</b>		1/1, 1/2, 1/4(3), 1/8(6), 1/15(12), 1/30(25), 1/60(50)~1/10000
<b>Manual Iris</b>		F1.6~F32, Close
<b>Sense-up</b>		Off~32fields
<b>ETC</b>		Spot AE, Slow AE
<b>D&amp;N Mode</b>		Auto/Day(Color)/Night(BW)/External-H/External-L
<b>White Balance</b>		AUTO/ATW/Indoor/Outdoor/One Push/Manual
<b>Image Freeze</b>		Off/On
<b>Image Flip</b>		Off/Horizontal/Vertical/H+V(180° Flip)
<b>Privacy Mask Zone</b>		8 Zones/14 mask color selectable

<b>Digital Image Stabilization</b>	Yes	
<b>Motion Detection</b>	4 Zones	
<b>D-WDR</b>	Off/On/Auto(Low/Middle/High)	
<b>HDR</b>	Off/On, Adjustable (Strength:0~29, HDR Tonemap:0~5, Bright:0~30, AGC MAX:1~50, HDR Sharpness: 0~20, HDR Contrast: 0~20, HDR Saturation: 0~20, HDR Auto : On/Off)	
<b>BLC</b>	Off/On, Area selectable	
<b>HLC</b>	Off/On, Area selectable	
<b>AGC</b>	Max.60dB	
<b>Sharpness</b>	Adjustable(0~20)	
<b>3D-DNR</b>	Off/Auto/Low/Middle/High	
<b>2D-DNR</b>	Off/Auto/Low/Middle/High	
<b>Defog</b>	Off/On/Auto(Low/Middle/High)	
<b>Presets</b>	192 position Presets(Zoom,Focus), 16Memory Presets, Custom Preset	
<b>Language</b>		English
<b>UART</b>	<b>Remote</b>	RS232 TTL +5.0V(+3.3V compatible)
	<b>Protocol</b>	VISCA, PELCO-D/P, AFP/EAP:Auto Detection
	<b>Baud rate</b>	2400/4800/9600/19200/38400/57600/115200bps
<b>Supply Voltage</b>	12VDC(9V to 15VDC)	
<b>Power Consumption</b>	Max.4.2W / Non-working zoom&focus 2.7W	
<b>Dimension(mm)</b>	41.6x45x61.6mm	
<b>Weight</b>	Approx.124g	
<b>Operating Temperature</b>	-10°C~+50°C, Humidity(Less than 90%)	
<b>Storage Temperature</b>	-20°C~+60°C, Humidity(Less than 90%)	
<b>Remark</b>		

## Dimension



## Pin Assignment



Pin no.	CN301(External I/O) / JST: SM08B-SRSS-TB
1	Vsync_OUT
2	Hsync_OUT
3	VCLK_OUT
4	GND
5	Vsync_IN
6	Hsync_IN
7	VCLK_IN
8	GND

Pin no.	CN302(CVBS) / JST: SM05B-SRSS-TB
1	POWER IN: +12VDC
2	GND
3	CVBS Output
4	AD_KEY
5	GND

Pin no.	CN303(External D&N) / JST: SM03B-SRSS-TB
1	Ext_D&N: External D&N Input
2	GND
3	+3.3V Out(For sensor)

Pin no.	CN307(RS-232 TTL) / JST: SM03B-SRSS-TB
1	GND
2	RXD: CMOS 3.3V Read Data
3	TXD: CMOS 3.3V Send Data

Pin no.	J303(Micro Co-Axial) / KEL Co.USL00-30L-C
1	TX_OUT3+
2	TX_OUT3-
3	TX_CLKOUT+
4	TX_CLKOUT-
5	TX_OUT2+
6	TX_OUT2-
7	TX_OUT1+
8	TX_OUT1-
9	TX_OUT0+
10	TX_OUT0-
11	GND
12	TXD: CMOS 5.0V Send Data (Compatible 3.3V)
13	RXD: CMOS 5.0V Read Data (Compatible 3.3V)
14	+12VDC
15	+12VDC
16	+12VDC
17	+12VDC
18	+12VDC
19	GND
20	GND
21	TX_OUT7+ : Single out mode (open)
22	TX_OUT7- : Single out mode(open)
23	TX_OUT6+ : Single out mode(open)
24	TX_OUT6- :Single out mode(open)
25	CVBS Output
26	RESET_IN: Reset - Low(GND), Normal(1.8V)
27	TX_OUT5+ : Single out mode (open)
28	TX_OUT5- : Single out mode (open)
29	TX_OUT4+ : Single out mode (open)
30	TX_OUT4- : Single out mode (open)