

HD-SDI / EX-SDI(V1.0/V2.0/V2.1/V3.0) / CVBS / TVI / AVI / LVDS

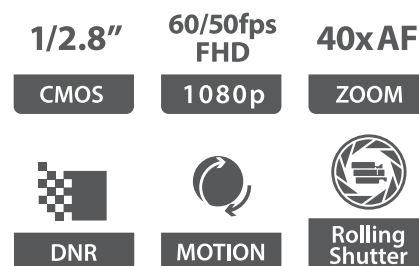
ATC-HZ8240T-LTA

FHD 2.13MP High Resolution
 40x Rolling Shutter Zoom Camera



features

- 1/2.8" Progressive Scan STARVIS CMOS
- 480x AF Zoom (40x optical zoom, 12x digital zoom)
- 1080p 60/50/30/25fps
- Mechanical Day&Night
- True WDR
- 3D DNR, Defog
- UART RS232-TTL (Pelco-D, Pelco-P, VISCA, Hitachi)

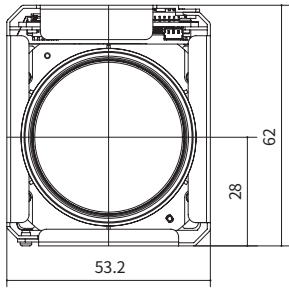


Specifications

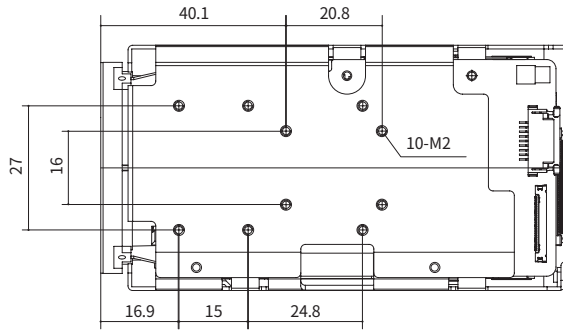
Image Sensor		1/2.8" Progressive Scan STARVIS CMOS
Effective Pixels		2.13MP 1945(H) x 1097(V)
Video Output Mode	Common	HD-SDI/EX-SDI(V1.0)/EX-SDI(V2.0)/EX-SDI(V2.1)/EX-SDI(3.0)/CVBS
	AVI/TVI/LVDS	TVI / AVI / LVDS
Max. Video Resolution		HD-SDI/LVDS:1080p@60(50fps), EX-SDI/TVI/AVI:1080p@30(25fps)
Synchronization system		Internal
Min. Illumination		Day mode: 0.03Lux(F1.6) Night mode: 0.02Lux(F1.6/ IR-cut filter on) Sens-Up off, AGC52dB
S/N Rate		More than 55dB(AGC off, Sens-Up off)
Type		AF Optical zoom lens(DC Iris), IR Corrective
Lens	Focal Length	f=4.25mm~170mm
	F-value	F1.6(W)~4.95(T)
	Angle of View	Horizontal 65.6°(W)~1.9°(T), Vertical 39.3°(W)~1.1°(T)
Zoom ratio		Optical 40x / Digital 12x
Focus Min. Working Distance		0.01m(Wide)/1.0m(Tele)~∞
Focus Control		Auto/Interval/One Shot/Manual/Preset
AE Mode		Auto/Shutter Priority/Iris Priority/Manual
Brightness		1~20
Manual Shutter		1/1, 1/2, 1/4(3), 1/8(6), 1/15(12), 1/30(25), 1/60(50)~1/30000
Manual Iris		F1.6~F19, Close
Sense-up		Off~32fields
ETC		Slow AE
D&N Mode		Auto/Day(Color)/Night(BW)/External-H or L
White Balance		AUTO/ATW/Indoor/Outdoor/One Push/Manual
Image Freeze		Off/On
Image Flip		Off/Horizontal/Vertical/H+V(180° Flip)
Privacy Mask Zone		8 Zones/14 mask color selectable

Digital Image Stabilization	Yes
Motion Detection	4 Zones
D-WDR	Off/Low/Middle/High
WDR	Off/On, Adjustable(Level:Low/Middle/High)
BLC	Off/0~10, Area selectable
HLC	Off/0~20, Color selectable
AGC	Max.80dB
Sharpness	Adjustable(0~15)
3D-DNR	OFF/Auto(Level:0~2)/ Manual(Gain:0~255/THLD:0~255/FK:0~255)
2D-DNR	OFF/Auto(Level:0~2)/ Manual(Gain:0~255/THLD:0~255)
Defog	Off/Auto(Low/Middle/High)/Manual
Preset	256 position Presets(Zoom,Focus), 16Memory Presets, Custom Preset
Language	English, Japanese, China, Russian, Spanish, German, France, Portuguese
Remote	RS232 TTL +5.0V(+3.3V compatible)
UART Protocol	VISCA/Pelco-D/Pelco-P/ Hitachi: Automatic detection
Baud rate	2400/4800/9600/19200/38400/57600/115200bps
UTC	TVI-UTC / AVI-UTC
Supply Voltage	12VDC(9V to 15VDC)
Power Consumption	Max.5.7W / Non-working zoom&focus 2.9W
Dimension(mm)	53.2x62x101.2mm
Weight	Approx.315g
Operating Temperature	-10°C~+50°C, Humidity(Less than 90%)
Storage Temperature	-20°C~+60°C, Humidity(Less than 90%)
Remark	

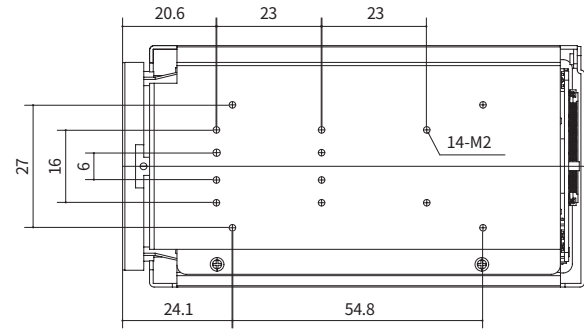
Dimension



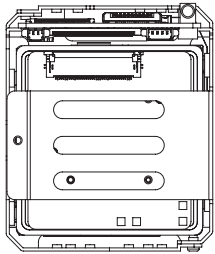
Front



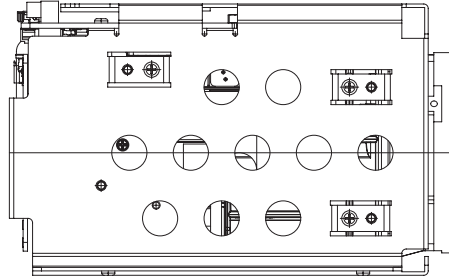
Top



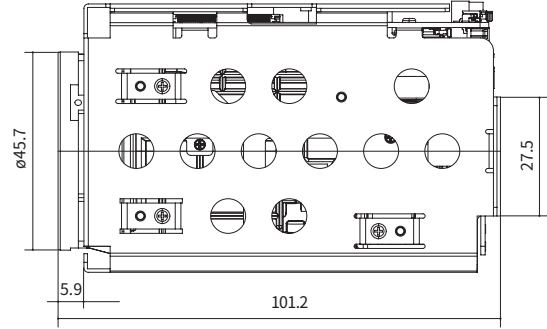
Bottom



Rear

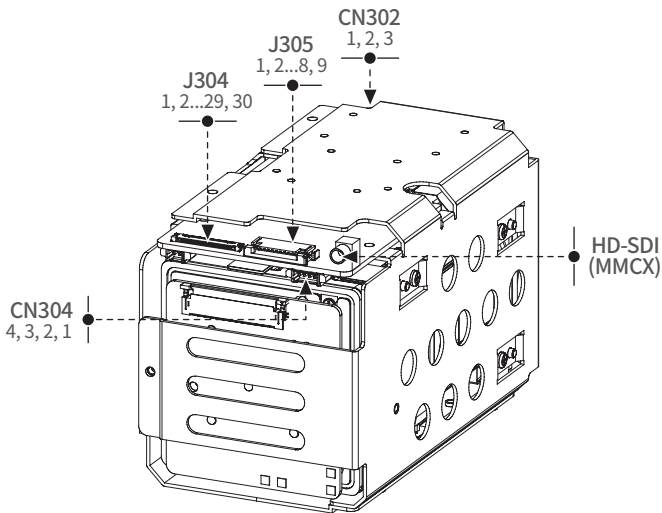


Left



Right

Pin Assignment



Pin no.	CN302(External D&N) / JST: SM03B-SRSS-TB
1	Ext_D&N: External D&N Input
2	GND
3	+3.3V out(For Sensor)

Pin no.	CN304(TVI/AVI) / Molex: 53261-0471
1	POWER IN: +12VDC
2	GND
3	TVI/AVI Output
4	GND

Jack	SDI Output connector / MMCX Jack Connector
------	--

Pin no.	J305 / Molex: 52207-0933
1	Default GND (Optional: AD key)
2	TVI/AVI Output
3	GND
4	CVBS Output
5	GND
6	+12VDC
7	GND
8	TXD: CMOS 5.0V Send Data (Compatible 3.3V)
9	RXD: CMOS 5.0V Read Data (Compatible 3.3V)

Pin no.	J304(Micro Co-Axial) / KEL Co. USL00-30L-C
1	TX_OUT3+
2	TX_OUT3-
3	TX_CLKOUT+
4	TX_CLKOUT-
5	TX_OUT2+
6	TX_OUT2-
7	TX_OUT1+
8	TX_OUT1-
9	TX_OUT0+
10	TX_OUT0-
11	GND
12	TXD: CMOS 5.0V Send Data (Compatible 3.3V)
13	RXD: CMOS 5.0V Read Data (Compatible 3.3V)
14	+12VDC
15	+12VDC
16	+12VDC
17	+12VDC
18	+12VDC
19	GND
20	GND
21	TX_OUT7+ : Single out mode (open)
22	TX_OUT7- : Single out mode (open)
23	TX_OUT6+ : Single out mode (open)
24	TX_OUT6- : Single out mode (open)
25	CVBS Output
26	RESET_IN : Reset - Low(GND), Normal(1.8V)
27	TX_OUT5+ : Single out mode (open)
28	TX_OUT5- : Single out mode (open)
29	TX_OUT4+ : Single out mode (open)
30	TX_OUT4- : Single out mode (open)